

EM1109/EM2000/EM2200 Mount

PIPE/POLE MOUNT, MEDIUM DUTY, ENCLOSURE

Product Features

- Low Cost
- Manually Adjustable Swivel Head
- Cable Feedthrough Hole
- Supports up to 40 lb (18.14 kg)
- Mounts on Vertical or Horizontal Pipe/Pole; Mounting Straps Included
- Compatible with Most Pelco Enclosures with a 2-Inch (5.08 cm) Mounting Pole Pattern

The **EM1109/EM2000/EM2200** are medium duty enclosure mounts designed for applications where mounting on a pipe or pole is necessary. These mounts can be used with Pelco enclosures having a 2-inch (5.08 cm) mounting hole pattern and are capable of supporting up to 40 lb (18.14 kg). All three mounts feature a manually adjustable swivel head and a cable feedthrough hole to conceal wiring. Multiple mounting holes on the tilt table provide maximum 360-degree horizontal positioning of the enclosure.

The **EM1109** is a pedestal mount for use on a horizontal or vertical pipe or pole. The **EM2000** is a J-type mount for use on a vertical pipe or pole, and the **EM2200** is a "hook" type mount for use on a horizontal pipe or pole. The **EM1109/EM2000/EM2200** must be mounted on pipes or poles having a 3-inch (7.62 cm) to 8-inch (20.32 cm) diameter. Mounts are secured to the pipe or pole with stainless steel mounting straps. Two 1/4-20 mounting bolts required to secure the enclosure to the mount are also supplied.

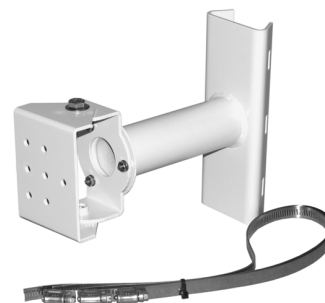
The **EM1109/EM2000/EM2200** are constructed of aluminum and have a white epoxy powder coat finish.



EM2200



EM2000



EM1109



TECHNICAL SPECIFICATIONS

MODELS

EM1109	Medium duty pedestal mount for horizontal or vertical pipe or pole applications. Manually adjustable swivel head and cable feedthrough hole.
EM2000	Medium duty 90 degree J-mount for vertical pipe or pole applications. Manually adjustable swivel head and cable feedthrough hole.
EM2200	Medium duty "hook" mount for horizontal pipe or pole applications. Manually adjustable swivel head and cable feedthrough hole.

MECHANICAL

Pan Adjustment	Unlimited 360°
Tilt Adjustment	±75°
Locking Method	3/8-16 hex head bolts (on manually adjustable swivel head)

GENERAL

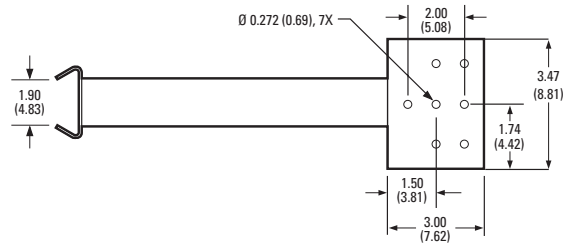
Suggested Mounting Method	Slots provided for mounting straps; 3 stainless steel straps supplied. Straps fit 3-inch (7.62 cm) to 8-inch (20.32 cm) diameter pole.
Enclosure Mounting	2, 1/4-20 mounting bolts (supplied)
Maximum Load	40 lb (18.14 kg)
Construction	Aluminum
Finish	White epoxy polyester powder coat
Environment	Indoor/outdoor
Unit Weight	
EM1109	1.88 lb (0.85 kg)
EM2000	3.05 lb (1.38 kg)
EM2200	3.51 lb (1.59 kg)

Shipping Weight	
EM1109	3 lb (1.36 kg)
EM2000	8 lb (3.60 kg)
EM2200	9 lb (4.10 kg)

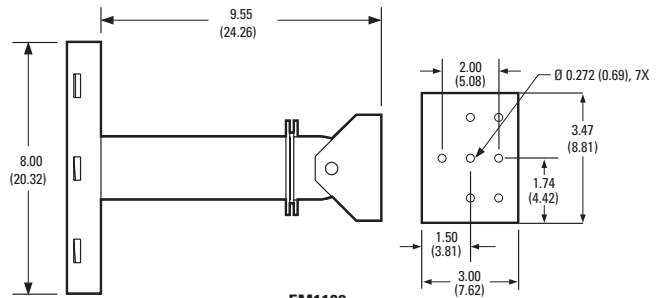
RECOMMENDED ENCLOSURES

Pelco enclosures having a 2-inch (5.08 cm) mounting hole pattern can be used with these mounts. Be sure the enclosure/camera/lens combination you select does not exceed 40 lb (18 kg) and is suitable for the type of mount you have selected. The following list indicates the most applicable enclosures.

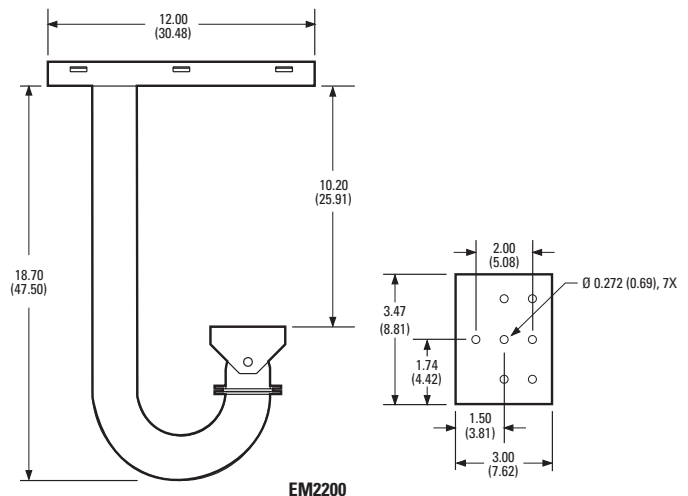
- EH3010/EH3014 Series
- EH4010 EH4014 Series
- EH3508 Series, Environmental
- EH3512/EH3515 Series, Environmental
- EH4700 Series, Environmental
- EH4700DB Series, Environmental
- E700 Series, Dust-Tight
- EHX4E, Explosion-Proof
- EH8100 Series, Pressurized



EM2000



EM1109



EM2200

NOTE: VALUES IN PARENTHESES ARE CENTIMETERS; ALL OTHERS ARE INCHES.



Pelco, Inc. Worldwide Headquarters:
 3500 Pelco Way, Clovis, California 93612-5699 USA
USA & Canada Tel: (800) 289-9100 • FAX: (800) 289-9150
International Tel: +1 (559) 292-1981 • FAX: +1 (559) 348-1120
www.pelco.com

Pelco and the Pelco logo are registered trademarks of Pelco, Inc.
 Product specifications and availability subject to change without notice.
 ©Copyright 2008, Pelco, Inc. All rights reserved.